

6. Electric Pressure Gauge (dia. 52 mm)

6.2 Technical Data

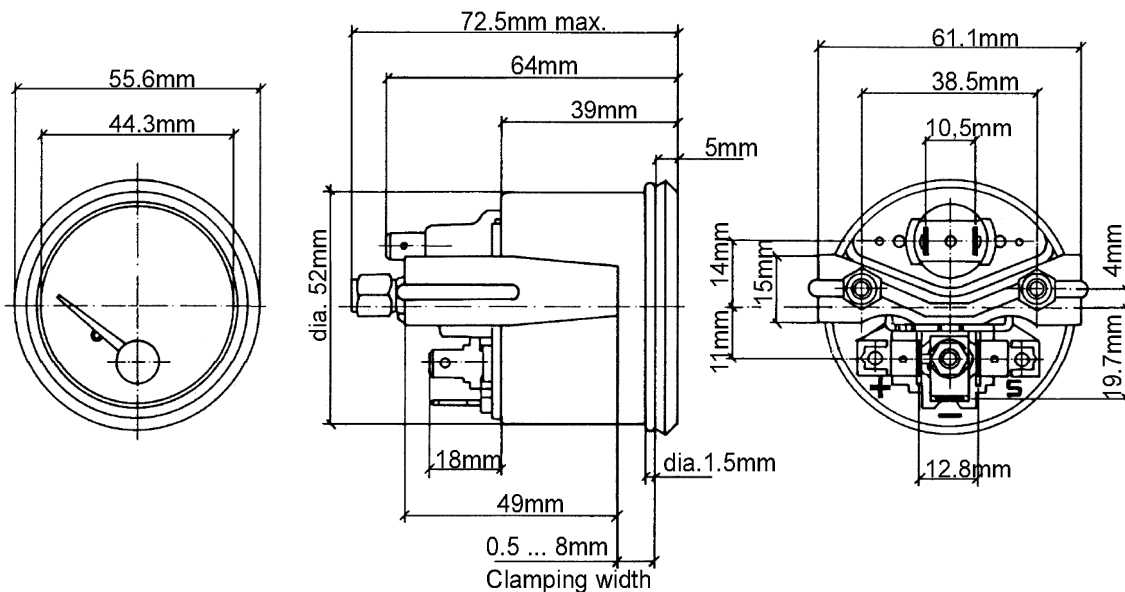
Operating voltage:	11 ... 16 V or 21.5 ... 30 V
Movement:	System Ke (90°)
Current consumption:	82 mA (without illumination)
Operating temp.:	- 30°C ... + 85°C
Storage temperature:	- 40°C ... + 90°C
Illumination:	1 light bulb 14 V, 3.4 W or 24 V, 3 W
Protection:	IP64 DIN40 050 from the front reverse-polarity protection
Vibration resistance:	max. 1g eff., 25 ... 2000 Hz, duration 8h, f. 1 octave/min.
Nominal position:	NL 0 to NL 90, DIN 16257

VDO cockpit international
dia. 52 mm Floodlight



Mounting hole: dia. 53mm

Sensor:
 pressure sensor (diaphragm),
 not included.



Pin assignment:
 Pin +: + 12 V or + 24 V,
 terminal 15
 Pin -: Ground, terminal 31
 Pin S: Sensor

Technical Product Manual

VDO cockpit vision VDO cockpit international



6. Electric Pressure Gauge (dia. 52 mm)

Contents	Page
6.1 General informations	6 - 2
6.2 Technical data	6 - 4
6.3 Pressure sensors	6 - 6
6.4 Wiring diagrams	6 - 12
6.5 Testing instructions	6 - 13
6.6 Instruments survey	6 - 15

Installation instructions

999-161-011: VDO cockpit vision
999-161-003: VDO cockpit international

See file 'Installation Instructions (MA)'.