



Models 5RT & 5RL Shown

APPLICATION:
With ammeters, wattmeters, and cross current compensation.

FREQUENCY:
50-400 Hz.

INSULATION LEVEL:
600 Volts, 10 kV BIL full wave.

Flexible leads are UL 1015, 105°C., CSA approved. #16 AWG, 24" long.

Non-standard length to be specified.

Terminals are brass studs No. 8-32 with one flatwasher, lockwasher and regular nut.

SHT and SHF case styles also available as SHL and SFL with leads.

Mounting bracket kit 0221B00180 when required for Model 5SHT.

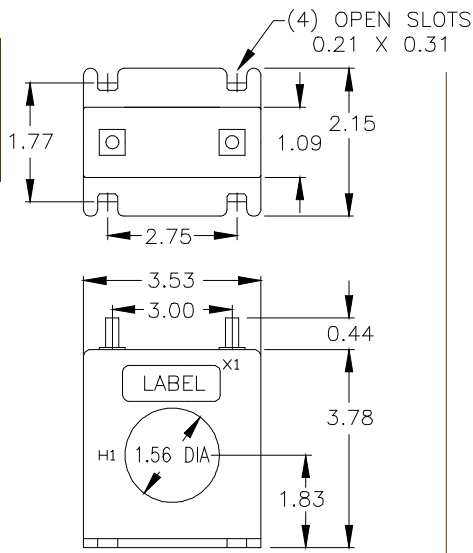
Approximate weight 1.0 lbs.

CATALOG NUMBER	CURRENT RATIO	ACCURACY AT 60 Hz	BURDEN VA at 60 Hz
5**–500	50:5	±2%	1.0
5**–750	75:5	±2%	1.5
5**–101	100:5	±2%	2.0
5**–151	150:5	±1%	5.0
5**–201	200:5	±1%	5.0
5**–251	250:5	±1%	10.0
5**–301	300:5	±1%	12.5
5**–401	400:5	±1%	12.5
5**–501	500:5	±1%	20.0
5**–601	600:5	±1%	25.0
* 5**–751	750:5	±1%	25.0
* 5**–801	800:5	±1%	25.0
* 5**–102	1000:5	±1%	25.0
* 5**–122	1200:5	±1%	30:5

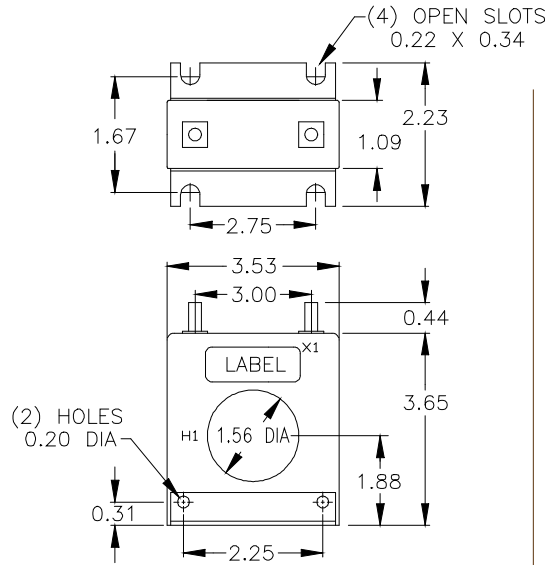
**Note: When ordering, prefix Cat No. with model designation required i.e. 5SFT–500, 5RL–500, etc.
*Note: Available in SFT, SHT and RL only.

Model 5

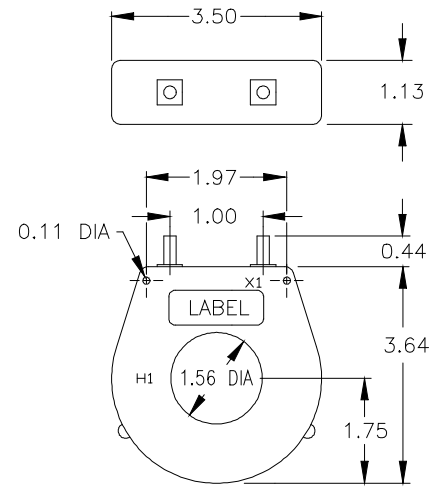
Model 5SFT



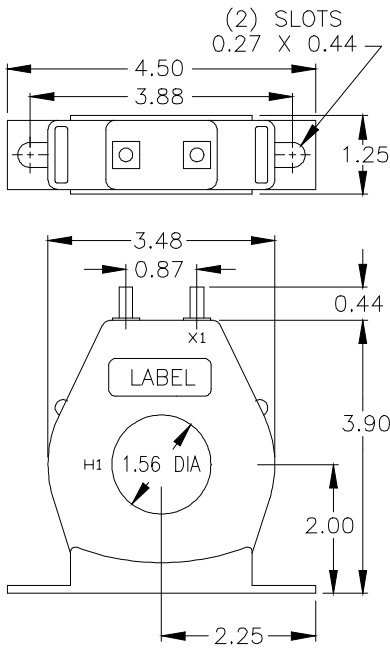
Model 5SHT



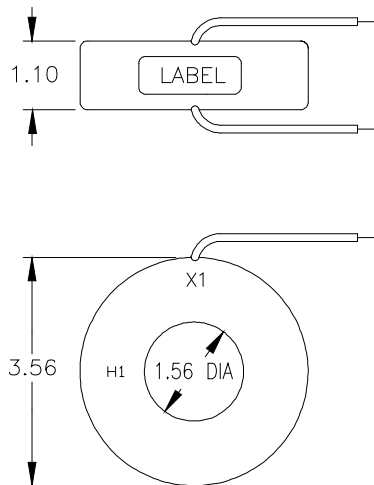
Model 5RT



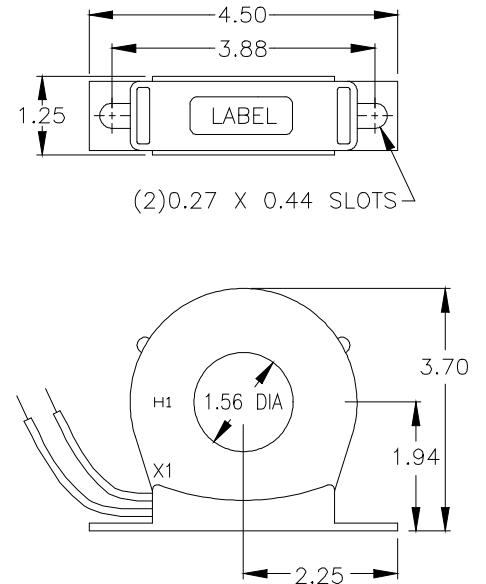
Model 5RBT



Model 5RL



Model 5RBL



Distributed by:



USA, Canada, Asia, Latin America

Tel: +1-800-547-8629

Fax: +1-905-201-2455

e-mail: sales.multilin@ge.com

Europe, Middle East, Africa

Tel: +34-94-485-88-00

Fax: +34-94-485-88-45

e-mail: gmultilin.euro@ge.com